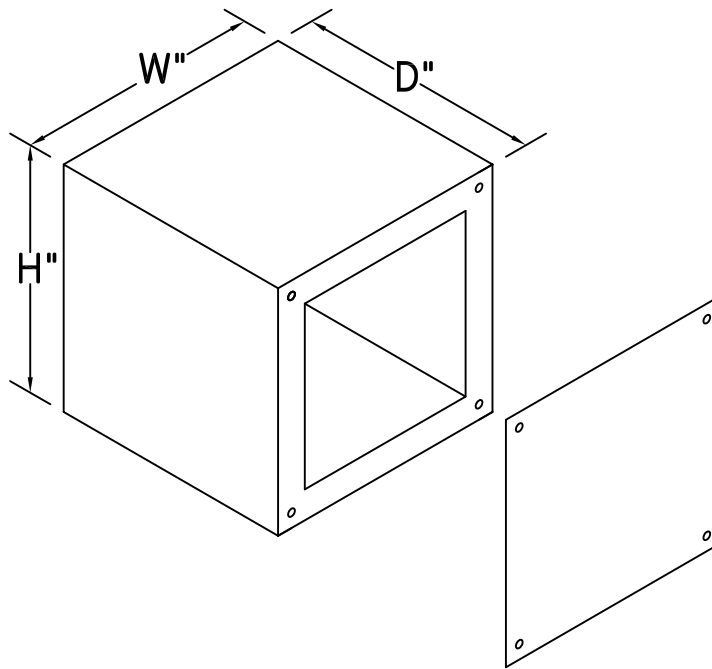


Technical Specification



NEMA 1 Junction / Pull Box w. Screw Cover

- ❑ Junction boxes and pull boxes are constructed with all welded seams. Material is galvanized sheet steel, conforming with ASTM A-924 and G90.
- ❑ In instances where a painted finish is required, Galvanealed steel, ASTM A653, will be used.
- ❑ Boxes are provided with screw covers, rear mounting holes, and ground screw.
- ❑ Padlock or utility seal tabs can be furnished.
- ❑ Total custom capability allows us to meet a wide range of customer needs. We can supply special sizes, shapes, holes, or cutouts.
- ❑ Junction boxes and pull boxes can be hot dipped galvanized after fabrication upon request.
- ❑ NEMA 1 junction and pull boxes are UL listed.



Listed 536D

| | |
|-------------|---|
| DWG. TITLE: | NEMA 1 Junction / Pull Box w. Screw Cover |
| DWG. NO.: | P10003 |
| MATERIAL: | ASTM A924 GALVANIZED ASTM A653 GALVANEALD |
| FINISH: | GALVANIZED - NONE GALVANEALD - CUSTOMER TO SPECIFY |

| | |
|---|---------------|
| NOTICE: THIS INFORMATION IS THE PROPERTY OF N.J. SULLIVAN CO., ANY REPRODUCTION, PUBLICATION OR DISTRIBUTION TO A THIRD PARTY IS STRICTLY FORBIDDEN UNLESS WRITTEN PERMISSIONS ARE GIVEN BY AN AUTHORIZED AGENT OF: N.J. SULLIVAN CO., INC. | |
| DFTG.: | DATE: 3/21/01 |
| CHKR.: | DATE: |
| REV.: | DATE: |
| REV.: | DATE: |
| REV.: | DATE: |

SULLIVAN Co.
INCORPORATED
P.O. BOX 438, STERLING, VIRGINIA 20167
METAL FABRICATION
Phone: (703)-464-5944 Fax: (703)-464-5992
www.njsullivan.com