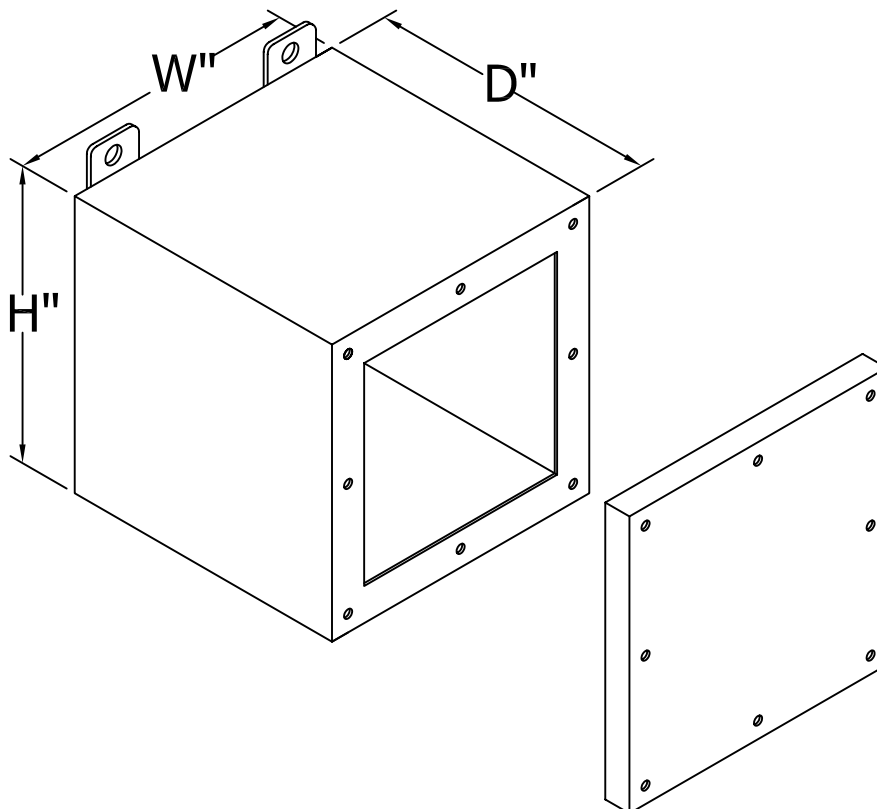


# Technical Specification



## NEMA 4X Junction / Pull Box With Screw Cover

- ❑ Junction boxes and pull boxes are constructed with all welded seams. Material is 304 stainless steel conforming with ASTM A240.
- ❑ Boxes are provided with gasketed screw covers and external mounting ears. Stainless hardware is used throughout.
- ❑ Total custom capability allows us to meet a wide range of customer needs. We can supply special sizes, shapes, holes, or cut-outs.
- ❑ NEMA 4X junction and pull boxes are constructed in accordance with UL bulletin #50 and NEMA specifications.

DWG. TITLE: Technical Specifications / NEMA 4X  
Junction / Pull Box w. Screw Cover

DWG. NO.: P10014

MATERIAL: 304 Stainless Steel ASTM A240

FINISH: Dull

NOTICE:  
THIS INFORMATION IS THE PROPERTY OF N.J.  
SULLIVAN CO., ANY REPRODUCTION, PUBLICATION  
OR DISTRIBUTION TO A THIRD PARTY IS STRICTLY  
FORBIDDEN UNLESS WRITTEN PERMISSIONS ARE  
GIVEN BY AN AUTHORIZED AGENT OF:  
N.J. SULLIVAN CO., INC.

DFTG.:	BB	DATE:	07/23/01
CHKR.:		DATE:	
REV.:		DATE:	
REV.:		DATE:	
REV.:		DATE:	

**N.J.**  
**SULLIVAN Co.**

INCORPORATED  
P.O. BOX 438, STERLING, VIRGINIA 20167  
METAL FABRICATION

Phone: (703)-464-5944 Fax: (703)-464-5992  
www.njsullivan.com