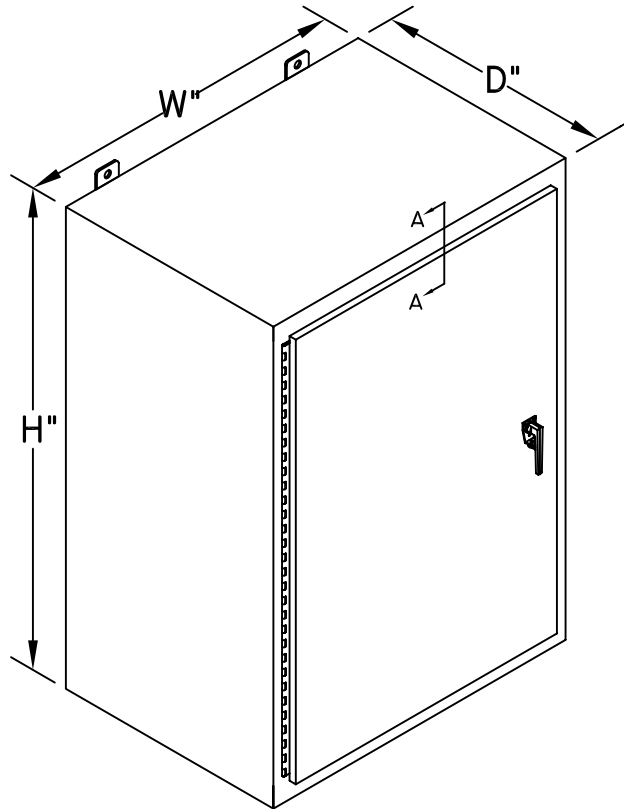
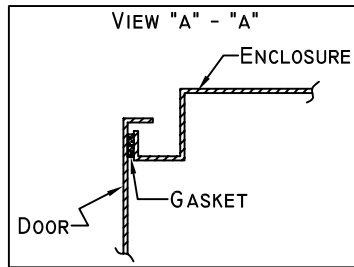


Technical Specification



NEMA 3R Junction / Pull Box w./ Hinged Cover

- ❑ Junction and pull boxes are constructed with all welded seams. Material is galvanized sheet steel conforming with ASTM A-924 and G90.
- ❑ In instances where a painted finish is required is required, galvanealed steel, ASTM A-653 will be used.
- ❑ Cover is provided with continuous piano hinge and a 3-point latching mechanism supplied with either padlock or keylock handle.
- ❑ External mounting ears are standard.
- ❑ Total custom capability allows us to meet a wide range of customer needs. We can supply special sizes, shapes, holes, or cut-outs.
- ❑ NEMA 3R junction / pull boxes are constructed in accordance with UL bulletin #50 and NEMA 3R specifications.

DWG. TITLE: TECHNICAL SPECIFICATIONS
NEMA 3R JUNCTION / PULL BOX

DWG. NO.: P10018

MATERIAL: ASTM A924 GALVANIZED
ASTM A653 GALVANNEALED

FINISH: GALVANIZED - NONE
GALVANNEALED - PAINTED

NOTICE:
THIS INFORMATION IS THE PROPERTY OF N.J. SULLIVAN CO., ANY REPRODUCTION, PUBLICATION OR DISTRIBUTION TO A THIRD PARTY IS STRICTLY FORBIDDEN UNLESS WRITTEN PERMISSIONS ARE GIVEN BY AN AUTHORIZED AGENT OF:
N.J. SULLIVAN CO., INC.

DFTG.:	BB	DATE:	09/17/01
CHKR.:		DATE:	
REV.:		DATE:	
REV.:		DATE:	
REV.:		DATE:	

N.J.
SULLIVAN Co.

INCORPORATED
P.O. BOX 438, STERLING, VIRGINIA 20167
METAL FABRICATION
Phone: (703)-464-5944 Fax: (703)-464-5992
www.njsullivan.com