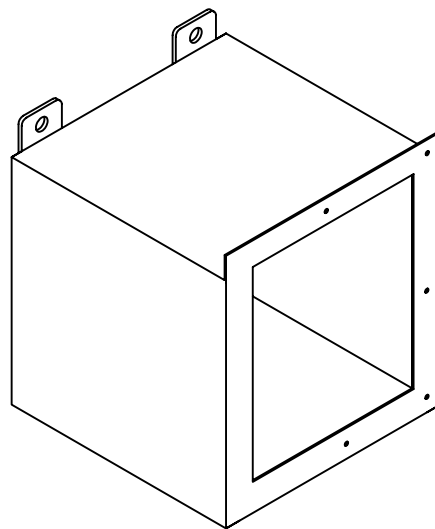
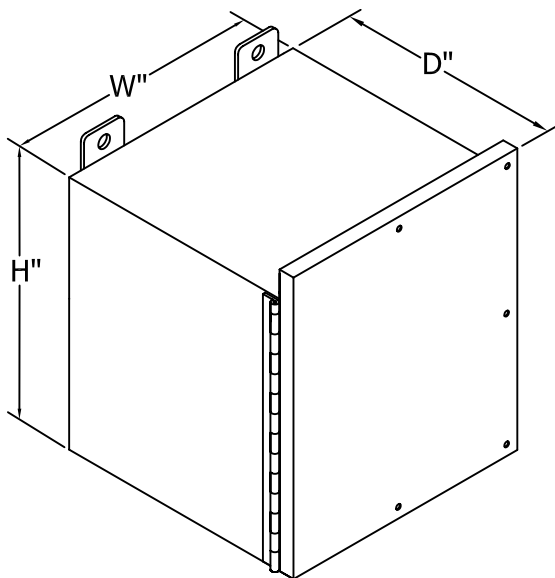


Technical Specification



(With Cover Removed)

NEMA 4X Hinged Covered Junction Box

- ❑ NEMA 4X hinge covered junction boxes are constructed with all welded seams. Material is Type 304 Stainless Steel, conforming with ASTM A-240.
- ❑ Finish is dull, Brushed finish is available upon request. Type 316 Stainless Steel can be used as well.
- ❑ Boxes are supplied with hinged cover, rear mounting ears, and ground screw. Keylock or coin turn latch available upon request.
- ❑ Total custom capability allows us to meet a wide range of customer needs. We can supply special sizes, shapes, holes, or cutouts.
- ❑ NEMA 4X junction boxes are constructed in accordance with UL bulletin #50 and NEMA 4X specifications.

DWG. TITLE:	NEMA 4X Junction Box w/ Hinged Cover
-------------	---

DWG. NO.:	P10019
-----------	--------

MATERIAL:	ASTM A240 Type 304 Stainless Steel ASTM A240 Type 316 Stainless Steel
-----------	--

FINISH:	Dull or Brushed
---------	-----------------

NOTICE:
THIS INFORMATION IS THE PROPERTY OF N.J. SULLIVAN CO., ANY REPRODUCTION, PUBLICATION OR DISTRIBUTION TO A THIRD PARTY IS STRICTLY FORBIDDEN UNLESS WRITTEN PERMISSIONS ARE GIVEN BY AN AUTHORIZED AGENT OF:
N.J. SULLIVAN CO., INC.

DFTG.:	CD	DATE:	06/21/11
CHKR.:		DATE:	
REV.:		DATE:	
REV.:		DATE:	
REV.:		DATE:	

N.J.
SULLIVAN Co.

INCORPORATED
P.O. BOX 438, STERLING, VIRGINIA 20167
METAL FABRICATION
Phone: (703)-464-5944 Fax: (703)-464-5992
www.njsullivan.com